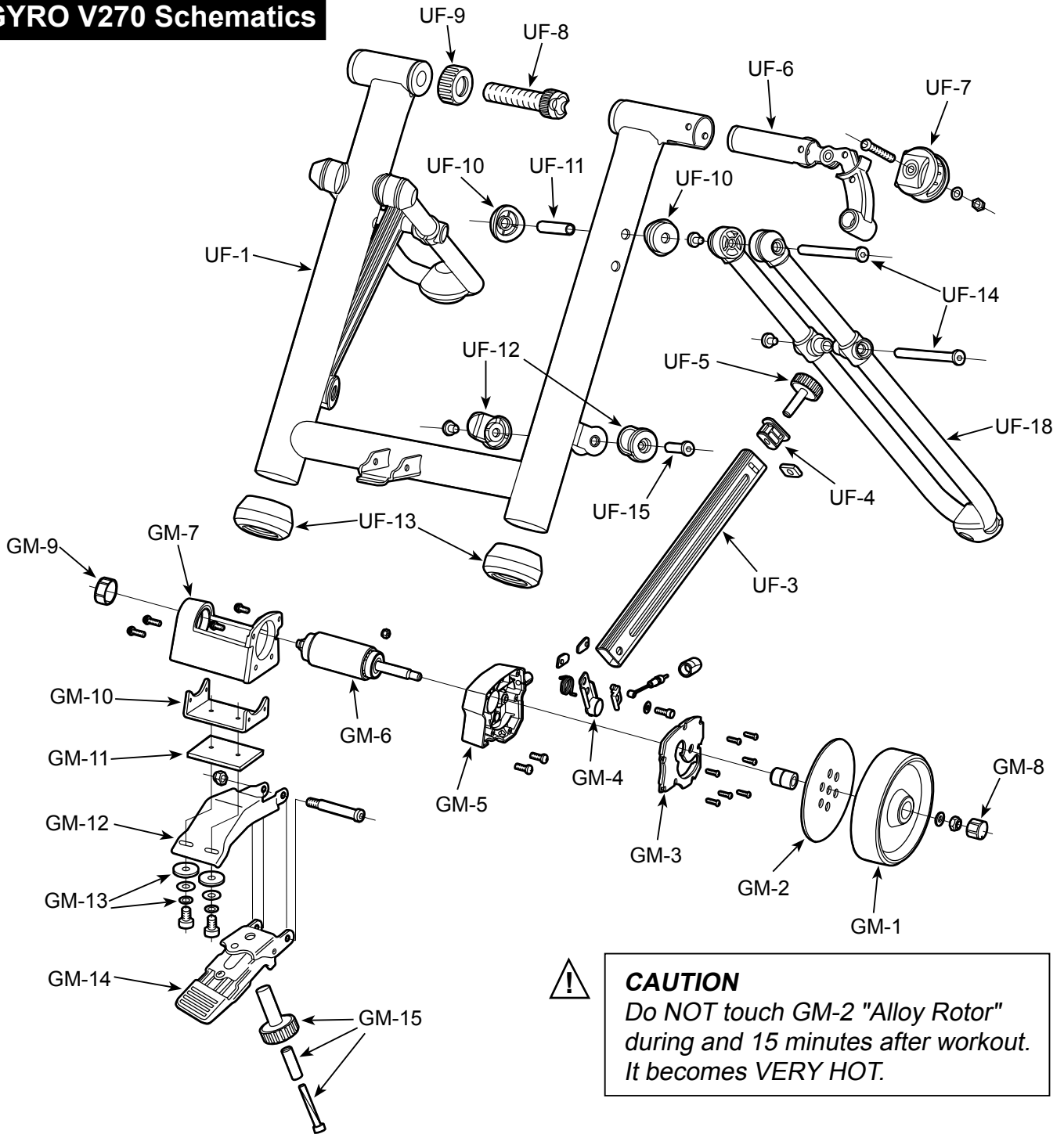


# GYRO V270 Schematics



## CAUTION

Do NOT touch GM-2 "Alloy Rotor" during and 15 minutes after workout. It becomes VERY HOT.

UF-1	: Main Frame	GM-1	: V270 Flywheel
UF-3	: Alloy Leg Guide	GM-2	: Alloy Rotor
UF-4	: Height Adjuster Cap	GM-3	: Housing Cover
UF-5	: Height ADjuster Knob	GM-4	: Neodymium Magnet
UF-6	: Right Side Coupling & Clamp Lever	GM-5	: Main Housing
UF-7	: Clamp Lever Guide	GM-6	: Drive Roller, Axle & Bearing
UF-8	: Left Side Coupling	GM-7	: Drive Roller Holder
UF-9	: Coupling Lock Ring	GM-8	: Flywheel Nut Cap
UF-10	: U-Leg Bushing	GM-9	: Axle End Cap
UF-11	: U-Leg Pivot Sleeve	GM-10	: Mag Unit Fitting Bracket
UF-12	: Alloy Leg Guide Bracket Cover	GM-11	: Rubber Shim
UF-13	: Ruber Cap	GM-12	: Mount Base
UF-14	: Pivot Bolt Set (Long)	GM-13	: Rubber Washer Set
UF-15	: Pivot Bolt Set (Short)	GM-14	: Foot Pedal
UF-18	: U-Leg (CP)	GM-15	: Foot Pedal Adjust Knob Set