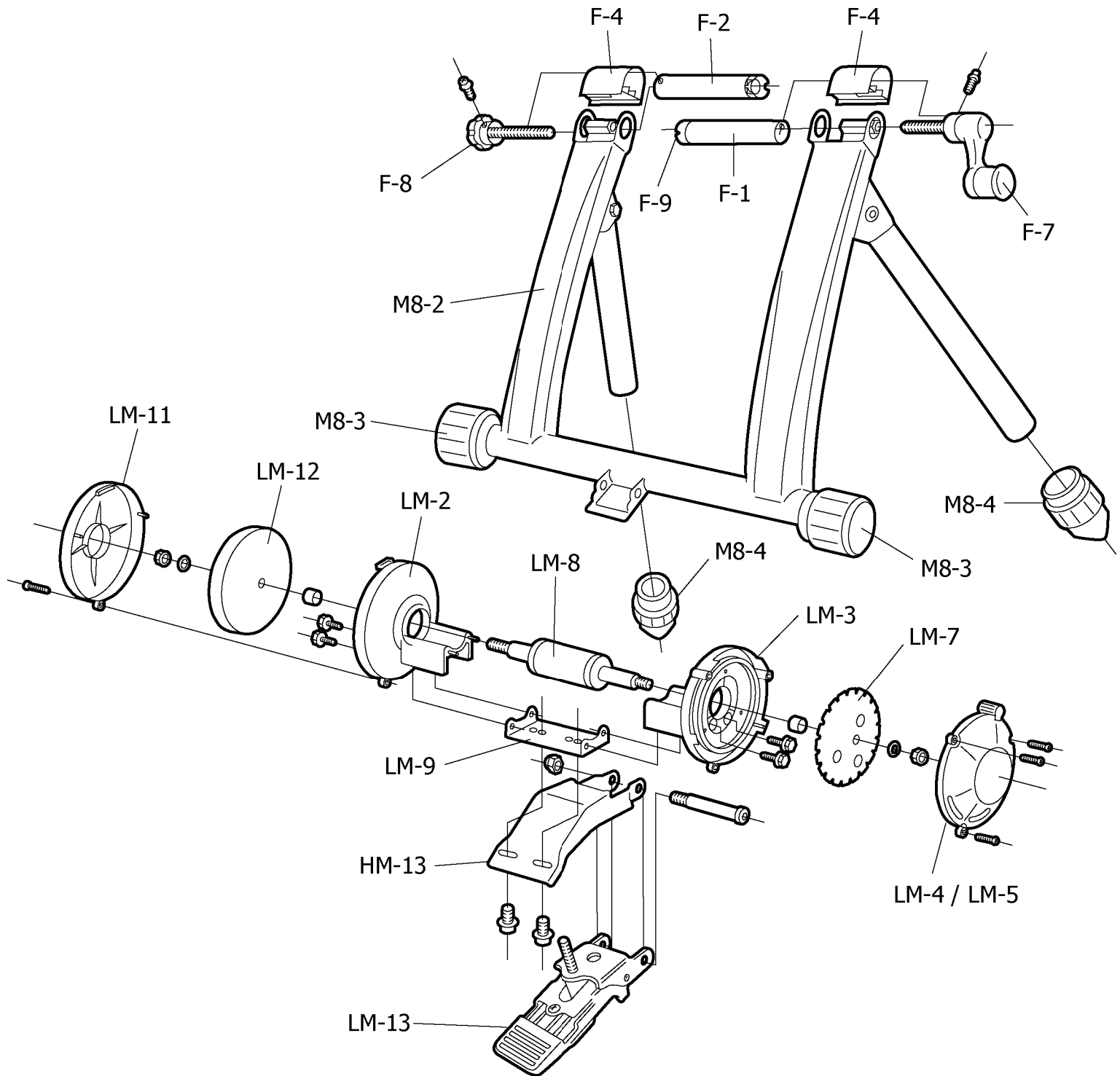


MAG-850D-LW / MAG-850R-LW small parts list



F-1 :	Coupling (Right)	LM-2 :	Flywheel Side Inner Case
F-2 :	Coupling (Left)	LM-3 :	Mag Side Inner Case
F-4 :	Coupling Cover	LM-4 :	Dial Outer Cover
F-7 :	Hub Handle	LM-5 :	Remote Outer Cover
F-8 :	Wheel Position Adjust Knob	LM-7 :	Alloy Rotor
F-9 :	Hub Nut Protector (Grommet)	LM-8 :	Axle w/ Bearings
M8-2 :	MAG-850 Frame	LM-9 :	Connection Plate
M8-3 :	Rubber Frame Cap (38.1mm)	LM-11 :	Flywheel Cover (Blue)
M8-4 :	Rubber Foot Cap (31.8mm)	LM-12 :	850g Flywheel
		LM-13 :	Foot Pedal