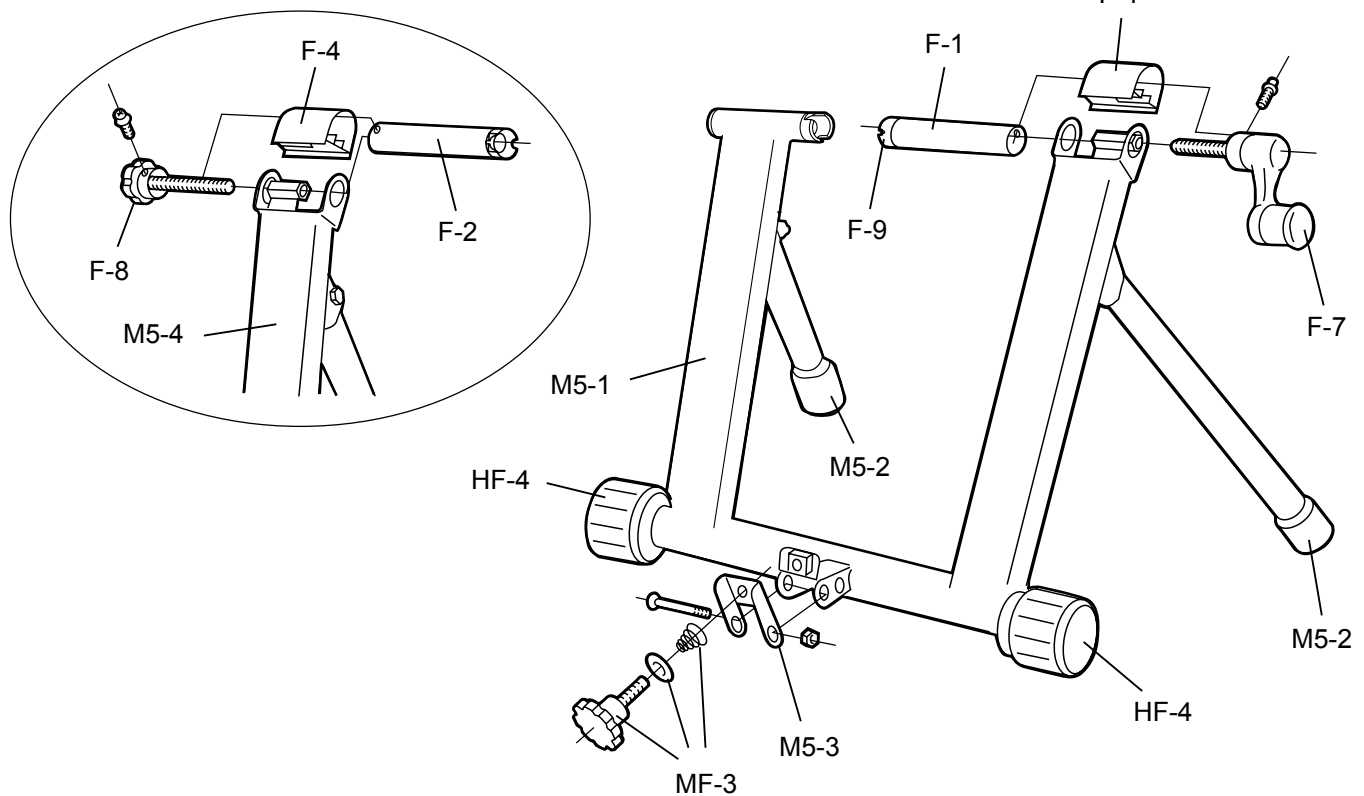


MAG-500L Frame

In case of MAG-500L-LW series



F-1 : Coupling (Right)

F-2 : Coupling (Left)

F-4 : Coupling Cover

F-7 : Hub Handle

F-8 : Wheel Position Adjust Knob

F-9 : Skewer Nut Protector

M5-1 : MAG-500 Main Frame

M5-2 : Rubber Foot Cap (28.6mm)

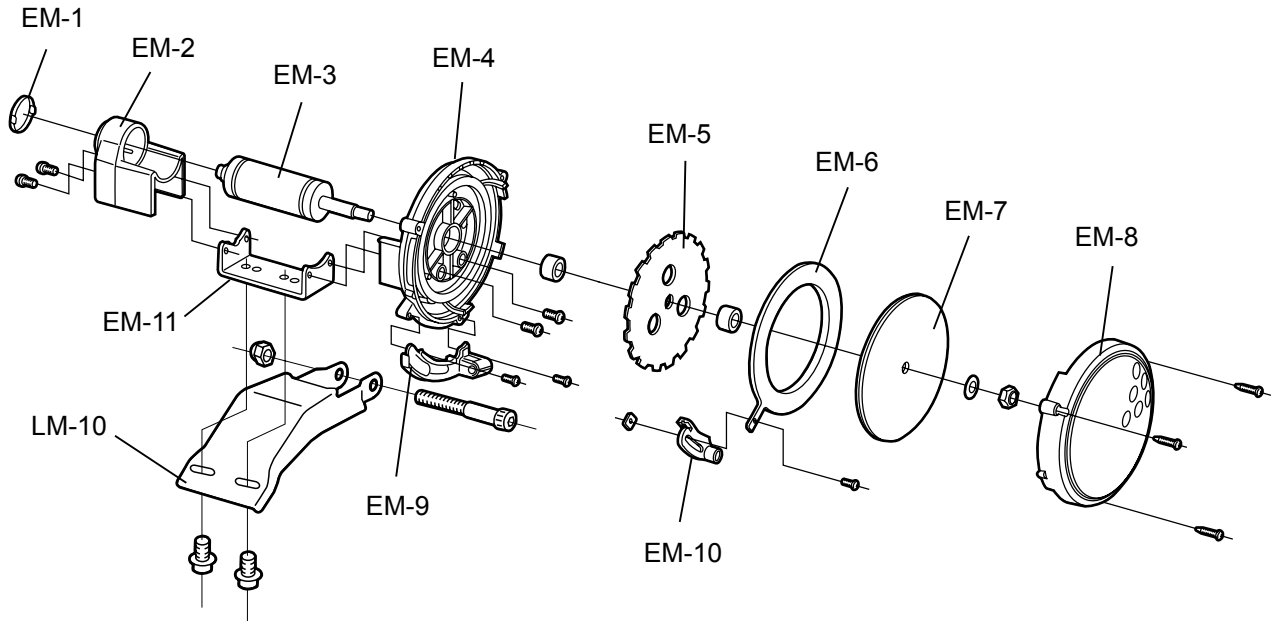
M5-3 : Pressure Plate

M5-4 : MAG-500LW Main Frame

MF-3 : Micro Adjust Knob Set

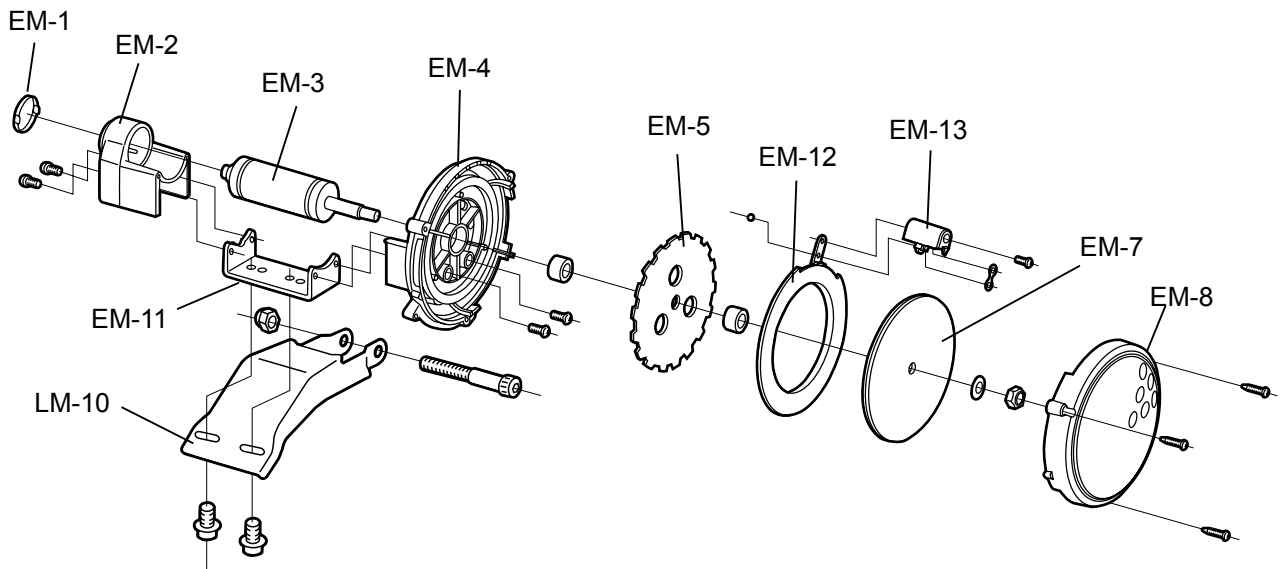
HF-4 : Rubber Frame Cap (35mm)

MAG-500L-R



| | | | |
|--------|------------------------|---------|------------------|
| EM-1 : | Outer Cap | EM-7 : | 500g Flywheel |
| EM-2 : | Axle Holder | EM-8 : | Flywheel Cover |
| EM-3 : | Drive Roller & Bearing | EM-9 : | Remote Base |
| EM-4 : | Main Housing | EM-10 : | Cable Guide |
| EM-5 : | Alloy Plate | EM-11 : | Connection Plate |
| EM-6 : | Remote Magnet Plate | LM-10 : | Base Plate |

MAG-500L-D



| | | | |
|--------|------------------------|---------|-------------------|
| EM-1 : | Outer Cap | EM-8 : | Flywheel Cover |
| EM-2 : | Axle Holder | EM-11 : | Connection Plate |
| EM-3 : | Drive Roller & Bearing | EM-12 : | Dial Magnet Plate |
| EM-4 : | Main Housing | EM-13 : | Dial Lever |
| EM-5 : | Alloy Plate | LM-10 : | Base Plate |
| EM-7 : | 500g Flywheel | | |