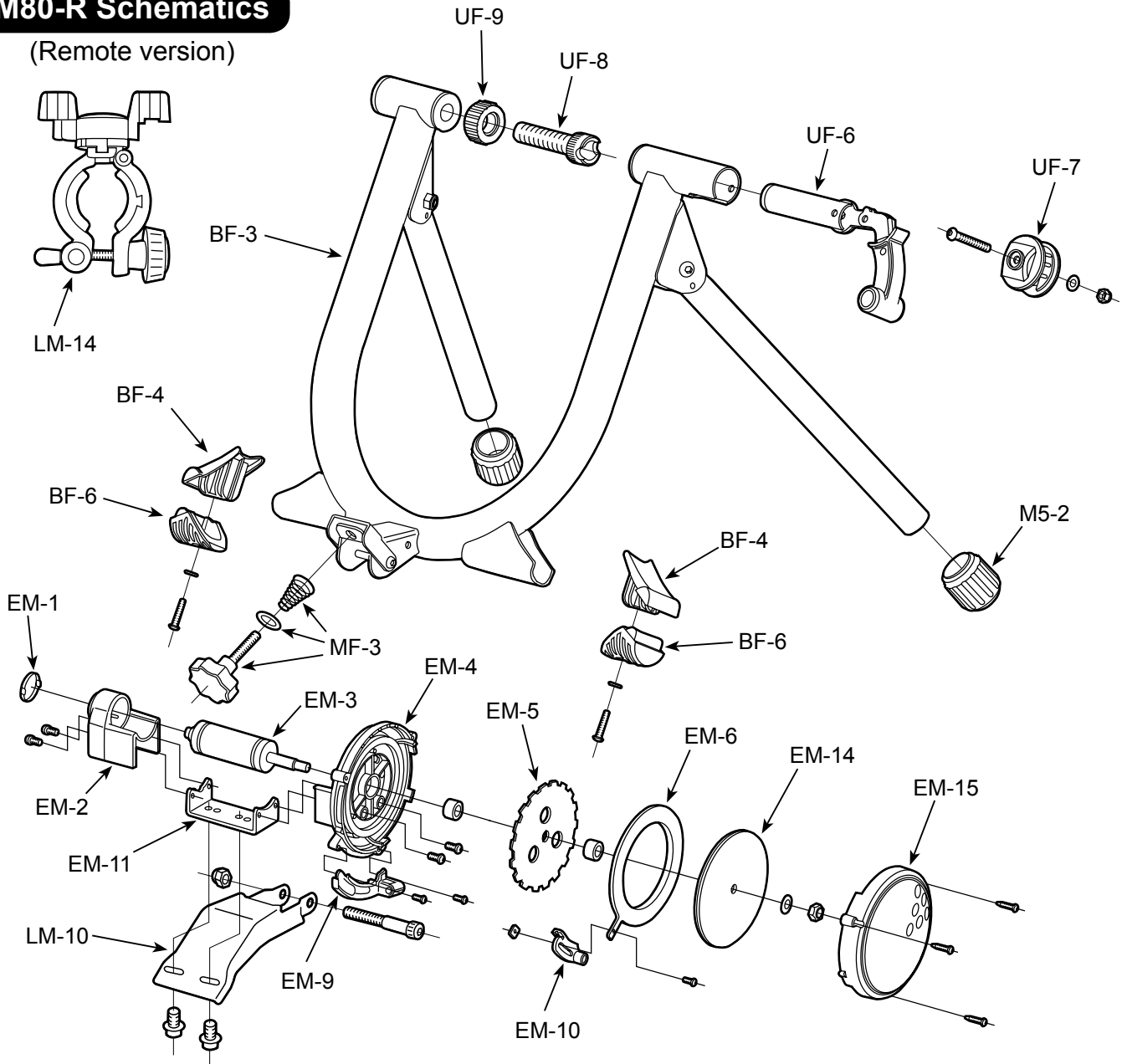


M80-R Schematics

(Remote version)



BF-3: M70/80 Main Frame (White)

BF-4: Leg Rubber Cover (Red)

BF-6: Leg Rubber

UF-6: Right Side Coupling & Clamp Lever

UF-7: Clamp Lever Guide

UF-8: Left Side Coupling

UF-9: Coupling Lock Ring (Red)

M5-2: Rubber Foot Cap (29mm)

MF-3: Micro Adjust Knob Set

LM-10: Base Plate

LM-14: Remote Shifter (Black)

EM-1: Outer Cap

EM-2: Axle Holder

EM-3: Drive Roller & Bearing

EM-4: Main Housing

EM-5: Alloy Plate

EM-6: Magnet Plate (M70/80-R)

EM-9: Remote Base

EM-10: Cable Guide

EM-11: Connecting Plate

EM-14: Flywheel (800g)

EM-15: Flywheel Cover (Transparent)

MINOURN