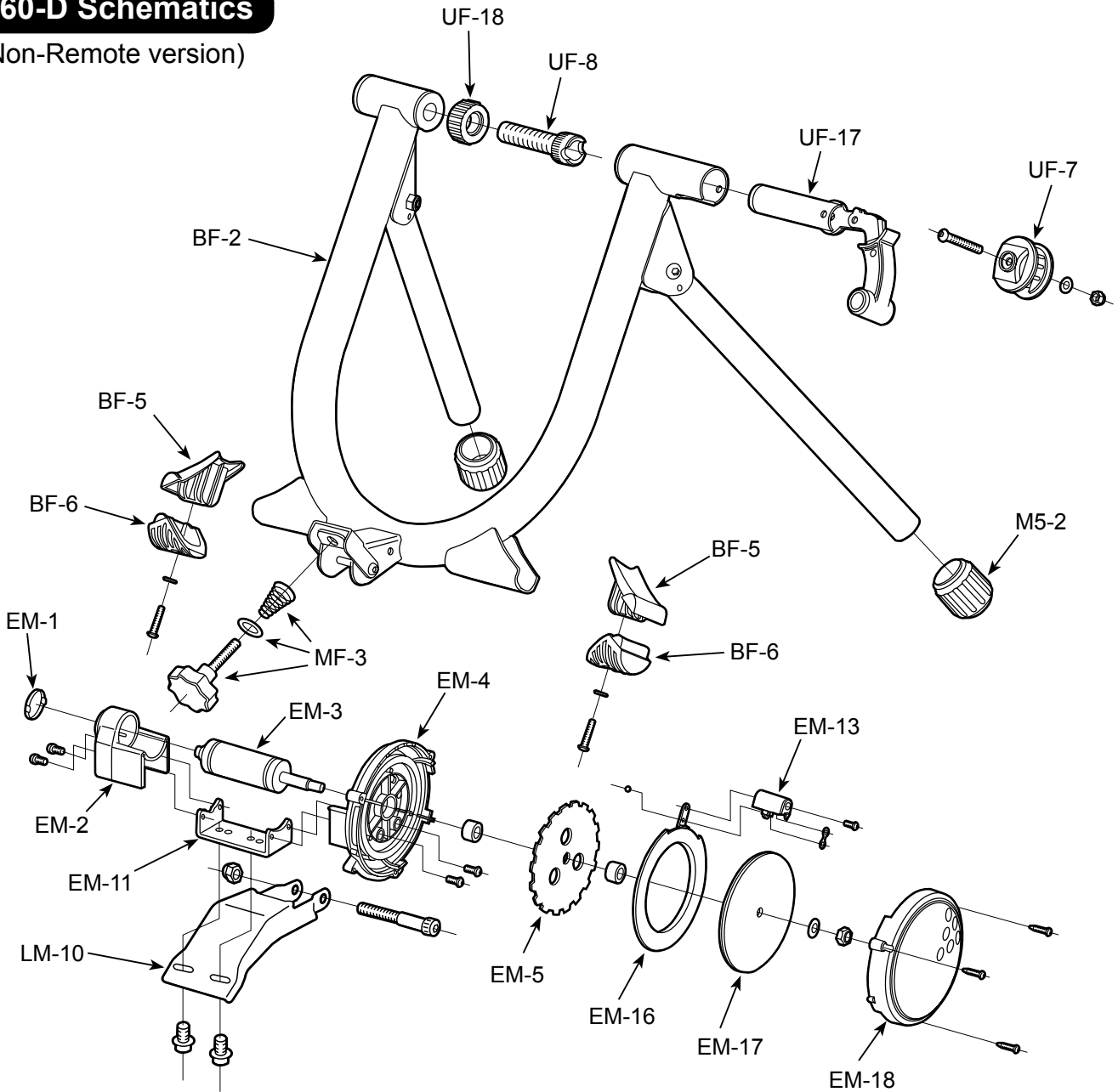


# M60-D Schematics

(Non-Remote version)



BF-2: M60 Main Frame (Blue)

BF-5: Leg Rubber Cover (White)

BF-6: Leg Rubber

UF-7: Clamp Lever Guide

UF-8: Left Side Coupling

UF-17: Right Side Coupling & Clamp Lever

UF-18: Coupling Lock Ring (White)

M5-2: Rubber Foot Cap (29mm)

MF-3: Micro Adjust Knob Set

EM-1: Outer Cap

EM-2: Axle Holder

EM-3: Drive Roller & Bearing

EM-4: Main Housing

EM-5: Alloy Plate

EM-11: Connecting Plate

EM-13: Dial Lever

EM-16: Magnet Plate (M60-D)

EM-17: Flywheel (600g)

EM-18: Flywheel Cover (M60)

LM-10: Base Plate

# MINOURN