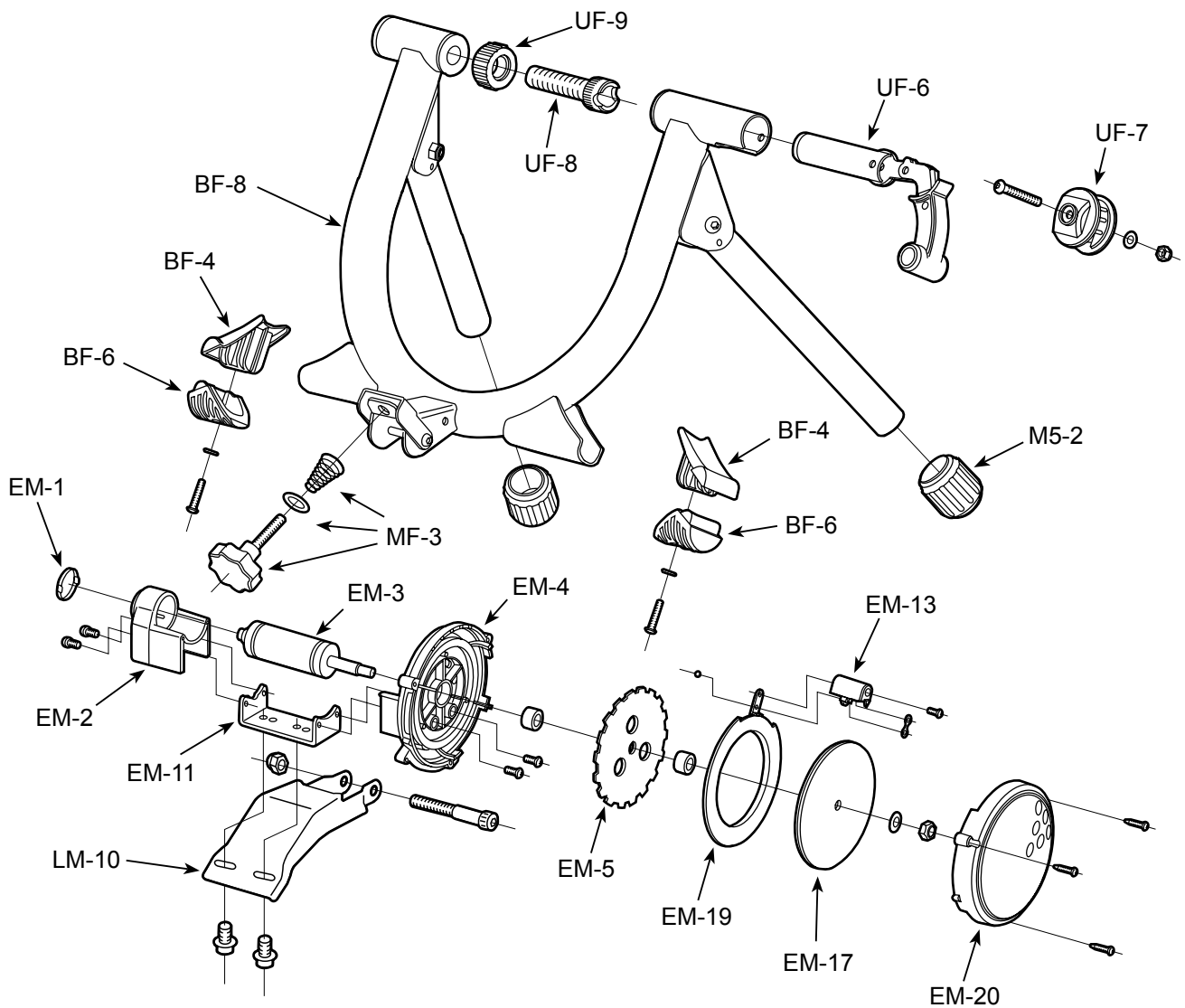


M20-D Schematics



- | | |
|---|---------------------------------------|
| BF-4: Leg Rubber Cover (Red) | EM-1: Outer Cap |
| BF-6: Leg Rubber | EM-2: Axle Holder |
| BF-8: M20 Main Frame (White) | EM-3: Drive Roller & Bearing |
| UF-6: Right Side Coupling & Clamp Lever | EM-4: Main Housing |
| UF-7: Clamp Lever Guide | EM-5: Alloy Rotor |
| UF-8: Left Side Coupling (for Q/R skewer) | EM-11: Connecting Plate |
| UF-9: Coupling Lock Ring (Red) | EM-13: Resistance Adjust Lever |
| M5-2: Rubber Foot Cap (29mm) | EM-17: Flywheel Disc (0.6 kgs) |
| MF-3: Roller Pressure Adjust Knob | EM-19: Magnet Plate (for M20) |
| LM-10: Base Plate | EM-20: Flywheel Cover (White for M20) |