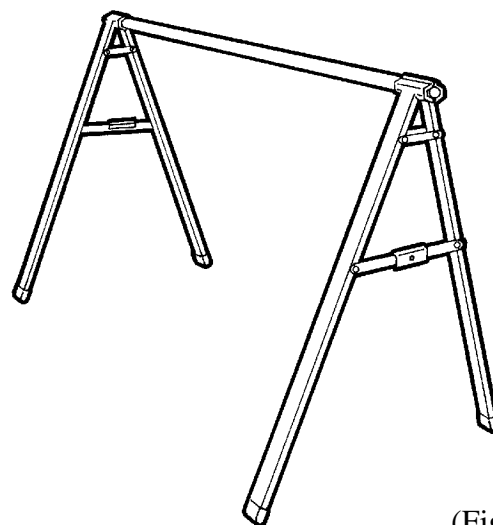


LEVEL-170 Instruction Manual

Read this instruction manual carefully before use.

Thank you for purchasing the Minoura LEVEL-170 race stand. You may hang up to 5 bikes by the saddle nose on the horizontal bar of the 170.

The LEVEL-170 comes standard with a 38.1 mm (diameter) x 1700 mm (length) bar. If you need a different length, a 22.2 mm bar may be used. Maximum load for the standard bar is 150 kg.



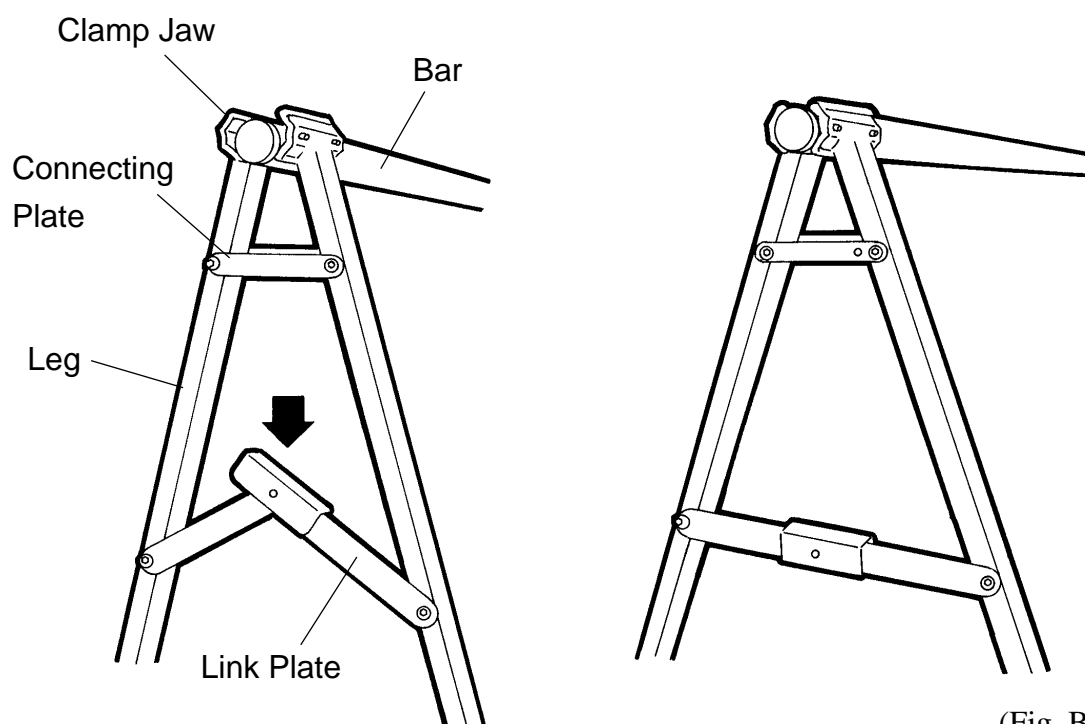
(Fig. A)

IMPORTANT NOTE

LEVEL-170 is the display stand for bicycles. Do NOT use this stand for any other purpose than instructed.

How To Assemble The Stand

1. Holding the bar in one hand, push the right or left leg of the stand out with your foot until the jaws come in contact with the bar. Once the jaws have come in contact with the bar, use your hand to push the LINK PLATE down until the jaws and LINK PLATE lock securely into place. Repeat the procedure for the other side of the stand.



(Fig. B)



Watch your hand. Be careful not to be pinched by the Link Plate.

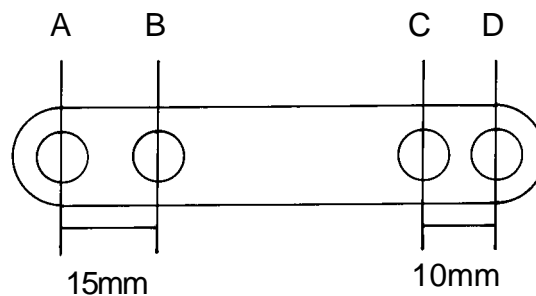
2. Before placing any bicycle on the stand, be sure that all legs are touching the ground.

3. To break the stand down, simply use your knee to kick up on the underside of the LINK PLATE until the jaws let go of the bar. Repeat on the other side.

Using Your Own Bar

If you use a 22.2 mm bar, you must move the bolt from its factory D position, over one notch to the C position (see diagram below).

NOTE: ONLY COMBINATION A-C WILL WORK IF YOU USE A 22.2 mm BAR. MAKE SURE YOU CONFIGURE THE LEVEL-170 TO THE A-C POSITION. NO OTHER COMBINATION WILL WORK FOR A 22.2 mm BAR.



(Fig. C)

HINT

You can hook a wheel or a bag on the bar if you change the clamping position of the bar from the edge to any middle area.

For More Information

MINOURA JAPAN HEAD OFFICE

1197-1 Godo, Anpachi

Gifu 503-2305 JAPAN

phone (+81) 584-27-3131

fax (+81) 584-27-4258

Email: minoura@minoura.co.jp

URL: <http://www.minoura.co.jp>

MINOURA NORTH AMERICA

37653 B Argyle Rd,

Fremont, CA 94536-4918 U.S.A.

phone 1-510-739-1395

fax 1-510-790-1108

Email: MinouraUSA@ATTglobal.net

MADE IN JAPAN

Copyright © Minoura Co.,Ltd. , 2000