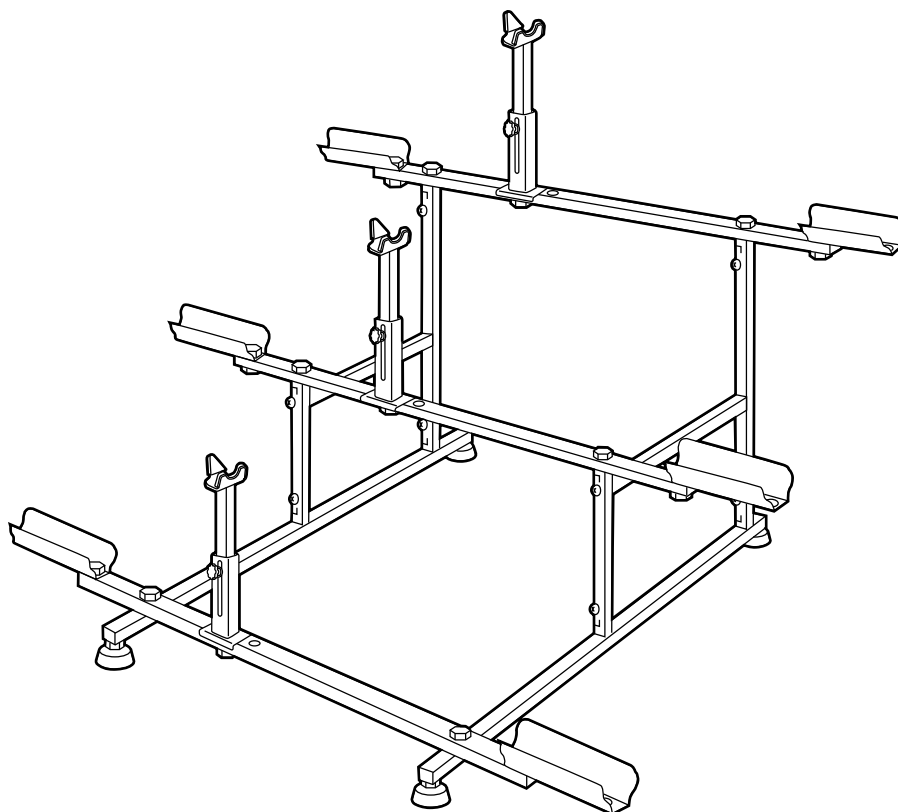


"971-3" Bicycle Display Stand Instructions Manual



Completed 971-3

(in the setting the bikes facing right side)

MINOURA JAPAN

1197-1 Godo, Anpachi, Gifu 503-2305 Japan

Phone: +81-584-27-3131 / Fax: +81-584-27-7505

Email: minoura@minoura.jp / URL: www.minoura.jp

Made in Japan

MINOURA
www.minoura.jp

How To Assemble 971-3

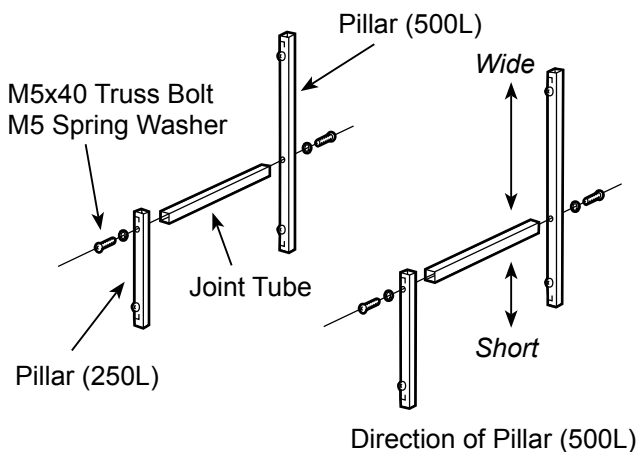
Required Tools

1 x Phillips Screwdriver (#2), 2 x 13mm Socket Wrench

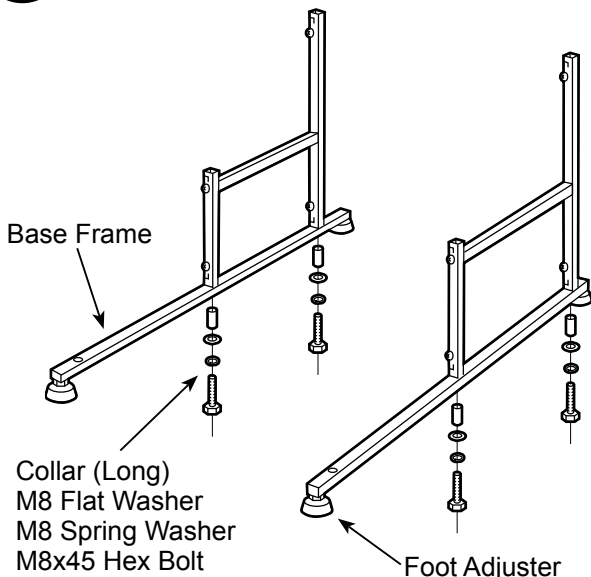
Parts List

1 x Base Frame	4 x Truss Bolt M5x40
3 x Stair Frame	9 x Hex Bolt M8x30
2 x Pillar (250L)	8 x Hex Bolt M8x45
2 x Pillar (500L)	2 x Hex Bolt M8x60
2 x Joint Tube 15 x Collar (Short)	
3 x BB Support	6 x Collar (Long)
6 x Tire Support	4 x M5 Spring Washer
4 x Foot Adjuster	21 x M8 Spring Washer
	23 x M8 Flat Washer
	8 x M8 Nut

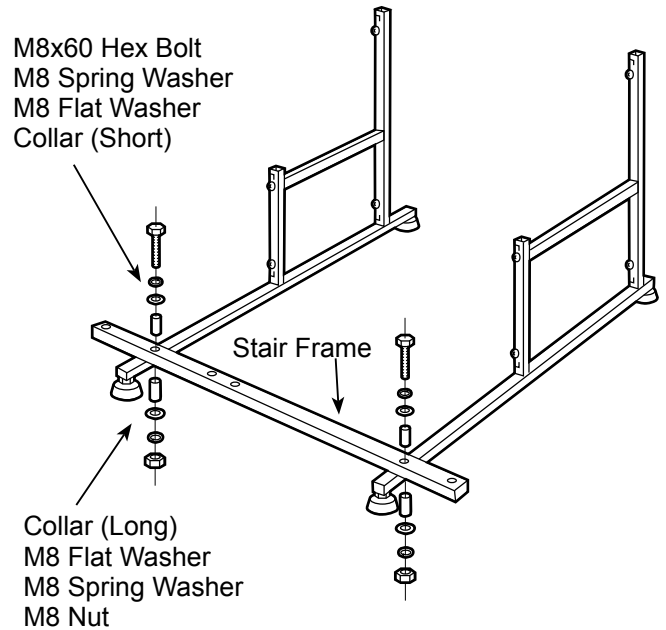
- 1** Assemble 2 sets of side frame. Make sure the hole position on the Pillar (500L).



- 2** Install the assembled side frame to the Base Frame. Make 2 sets.

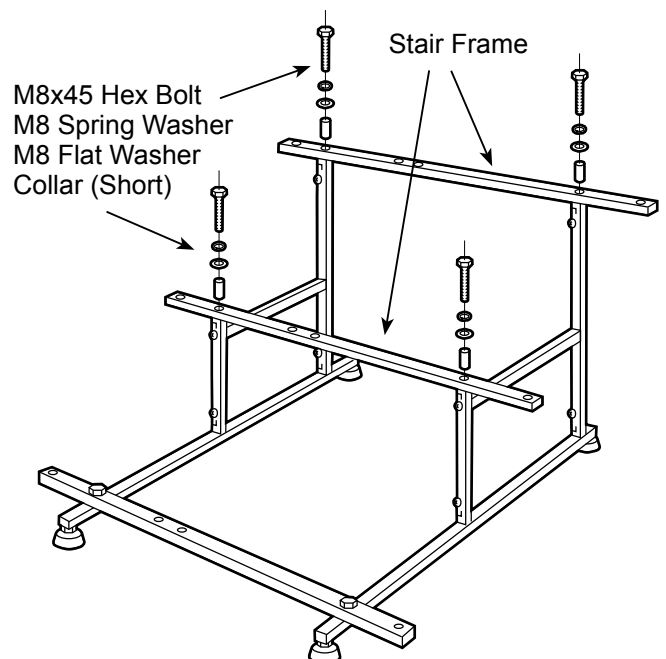


- 3** Install the lower Stair Frame to the Base Frames.



- !** There are two holes on the Stair Frame for mounting the BB Support. To set the bike heading right, place the Stair Frame to have the holes in left side.

- 4** Install the middle and upper Stair Frames to the side frame.



- !** For more stability, you should set all Stair Frames in same direction.

5

Install the Tire Supports onto each Stair Frame.
For more detail, refer to "How To Mount Bicycle" column in the next page.



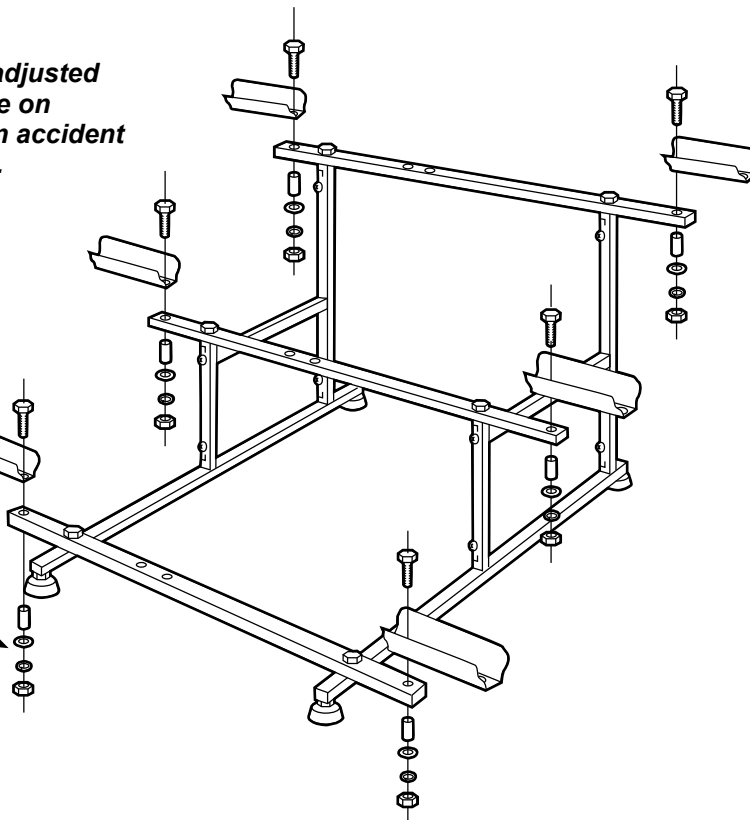
The Tire Support position must be adjusted each by each to fit the actual bicycle on 971-3. Wrong position may cause an accident that the bicycle will fall down easily.



You should turn the Tire Support to put the hex bolt head through the larger hole for mounting a short wheelbase bicycle.

Tire Support

M8x30 Hex Bolt
Collar (Short)
M8 Flat Washer
M8 Spring Washer
M8 Nut



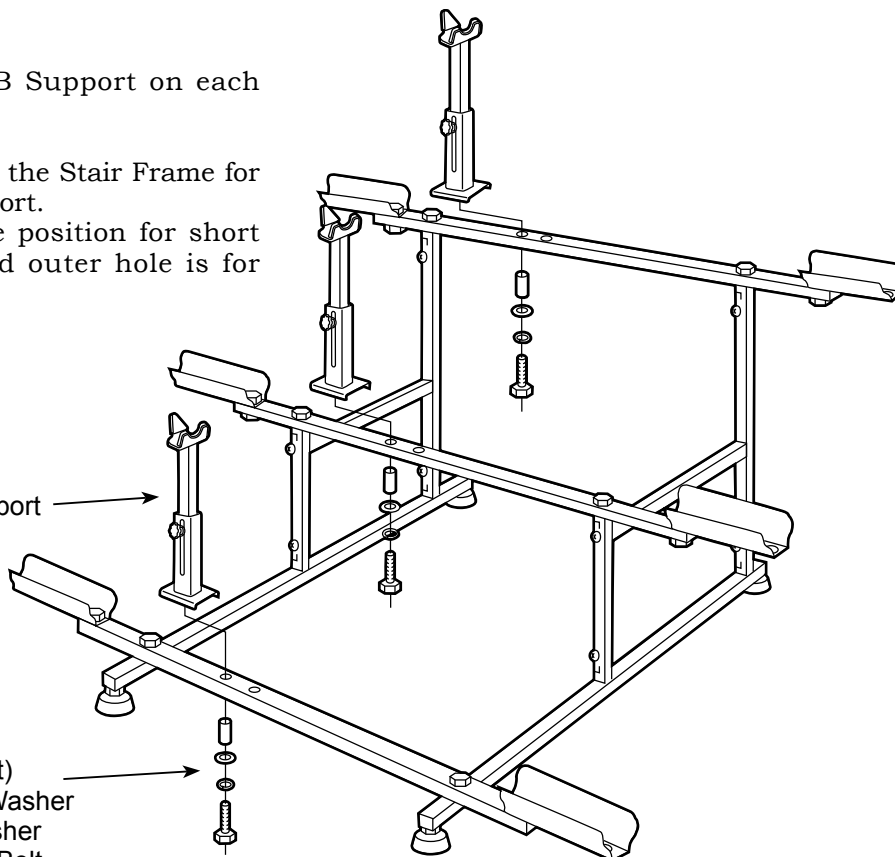
6

Finally, install the BB Support on each Stair Frame.

There are two holes on the Stair Frame for mounting the BB Support.
The center hole is the position for short wheelbase bicycle and outer hole is for normal size bicycle.

BB Support

Collar (Short)
M8 Spring Washer
M8 Flat Washer
M8x30 Hex Bolt



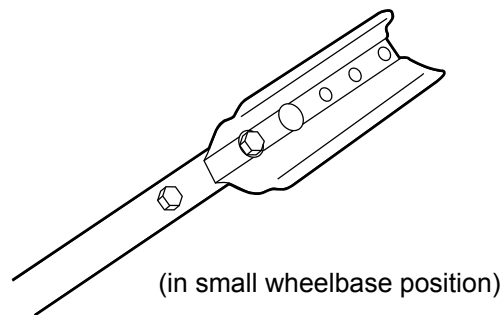
How To Mount Bicycle

Tire Support

There are totally 5 holes on the Tire Support (2 larger holes and 3 smaller holes) for multi adjustment.

You usually choose smaller hole for mounting a normal size bicycle.

When you mount a short wheelbase bicycle such as BMX or kids bike, turn the Tire Support and put the hex bolt head into the larger hole.



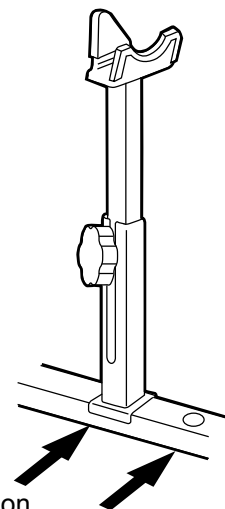
BB Support

The BB Support position is adjustable to fit different wheelbase sizes.

The triangle projection on the tip of the BB Support must be inserted between the chain stays (just behind the BB shell) and another side is for holding the down tube.



**Wrong direction of the BB Support will cause serious problem that the bicycle will NOT be supported securely.
Do NOT miss the direction at all times.**



Normal Position
Short Wheelbase Position

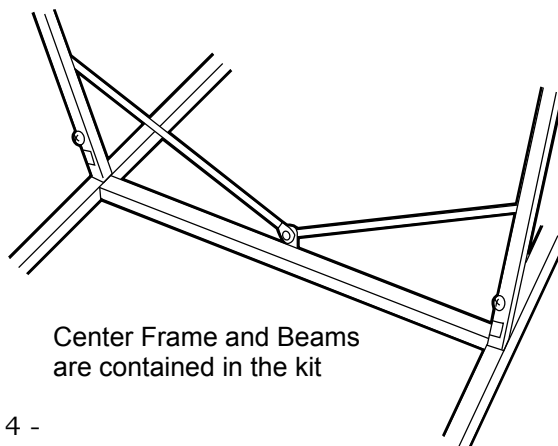
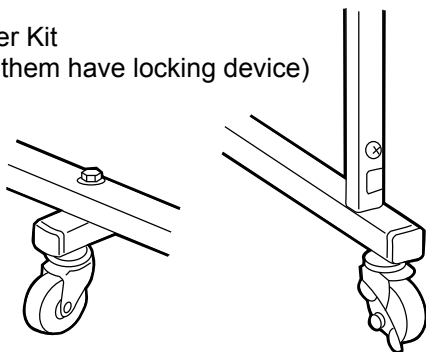
- 1** Place the bicycle on both Tire Support gently. Be sure the bicycle direction is correct.
- 2** While making micro adjustment of the bicycle position by holding the bicycle with you hand, loosen the knob bolt and slide up the upper part of the BB Support.
- 3** After confirming the triangle projection is fully inserted in the deepest between the chain stays and also confirming the down tube is supported securely, tighten the knob bolt firmly. Finally, check the stability of the bicycle by shaking it side by side slightly.

About Optional "Caster Kit"

The convenient "Caster Kit" is available as an option.

It allows you to move 971-3 easily and increases the whole durability of 971-3.

Caster Kit
(2 of them have locking device)



Center Frame and Beams
are contained in the kit